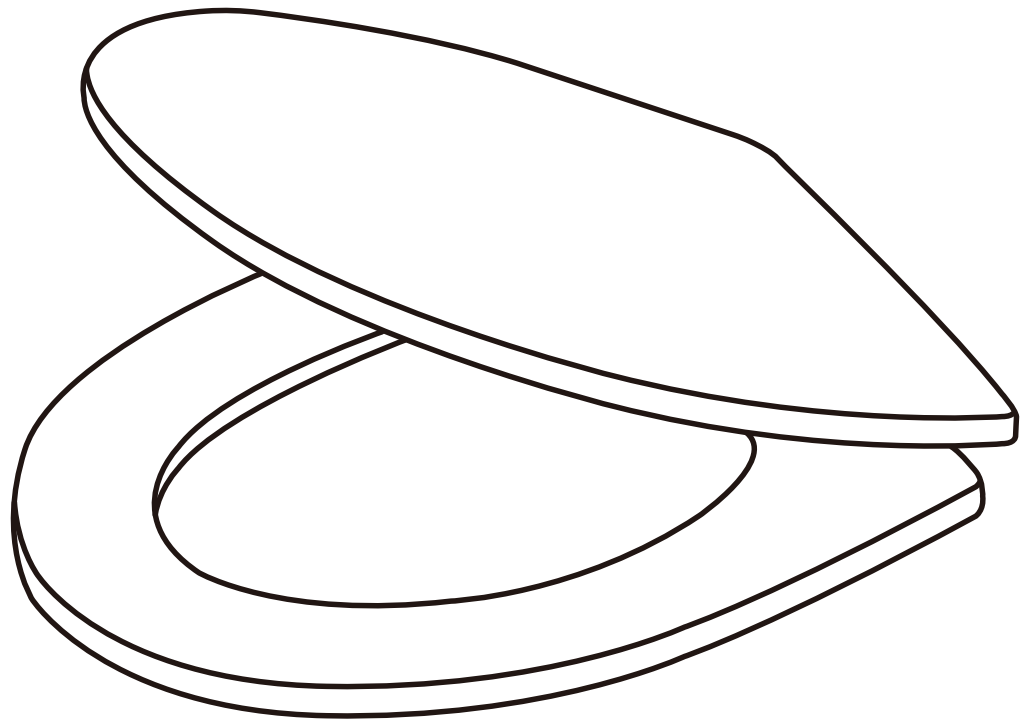


INSTALLATION INSTRUCTIONS

TOILET SEAT





READ ALL INSTRUCTIONS BEFORE UNPACKING THE PRODUCT



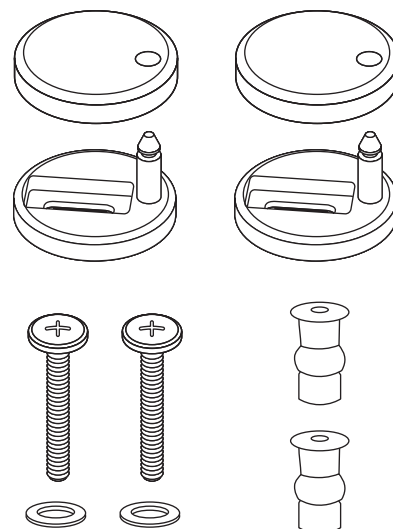
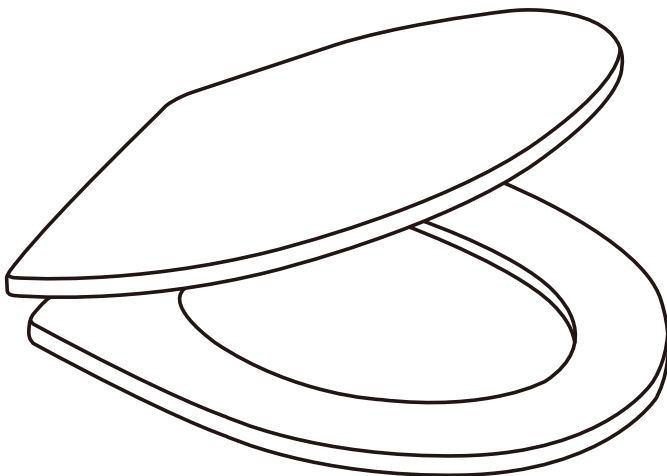
INSTRUCTIONS THAT, IF IGNORED, COULD RESULT IN DEATH OR SERIOUS INJURY CAUSED BY INCORRECT HANDLING OR INSTALLATION OF THE PRODUCT. THESE INSTRUCTIONS MUST BE OBSERVED FOR SAFE INSTALLATION.

We reserves the right to change, update, modify, alter, redesign this manual/product or its policies without prior notice!
It is your responsibility to visit the website to download or contact customer service for the most updated version of the installation instructions.

We shall not be liable for any injuries or property damages in connection with this product during installation or use of this product!

- Limited warranty is void on any commercial installation.
- We are not responsible for local code compliance for this product.
- Building and plumbing codes may vary from state-to-state in accordance to your location.
- We are not responsible for providing any compliance certifications.
- We are not responsible to provide any type of certifications for this product.
- Under no circumstances we shall not be liable for any and all incidental damages sustained in connection with this product Neither manufacture, nor distributor, nor retailer is responsible for water damage or flood caused due to use of this product.
- Under no circumstances We shall not be liable for any and all fees, cost of installation/re-installation/removal, subsequent damage or transportation in case of the product defect.

TOILET SEAT & HARDWARE

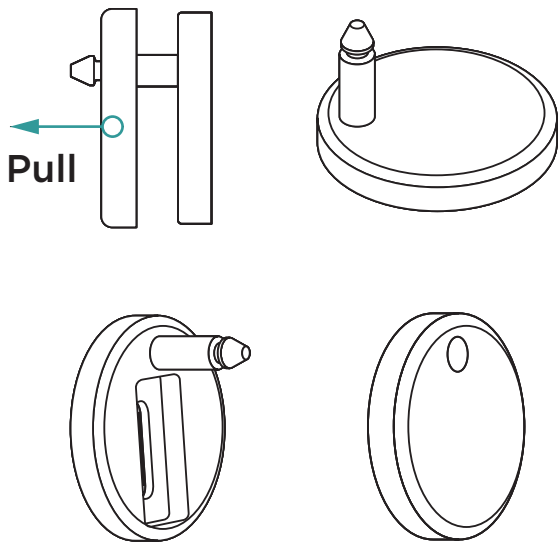




1

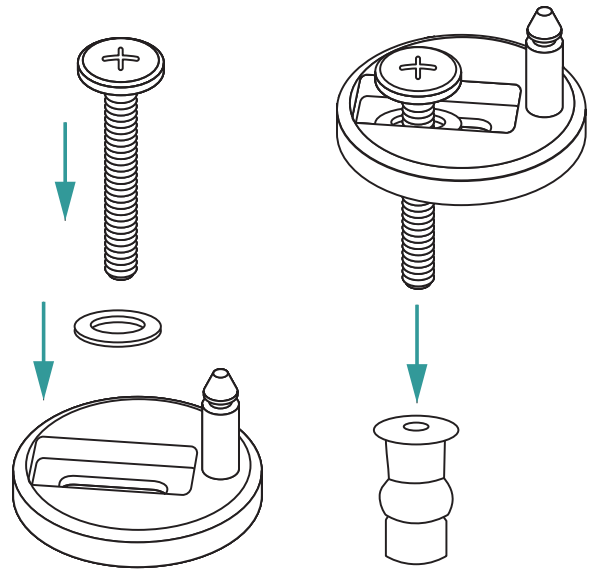
PREPARATION

Separate the cover cap from the hinge.



2

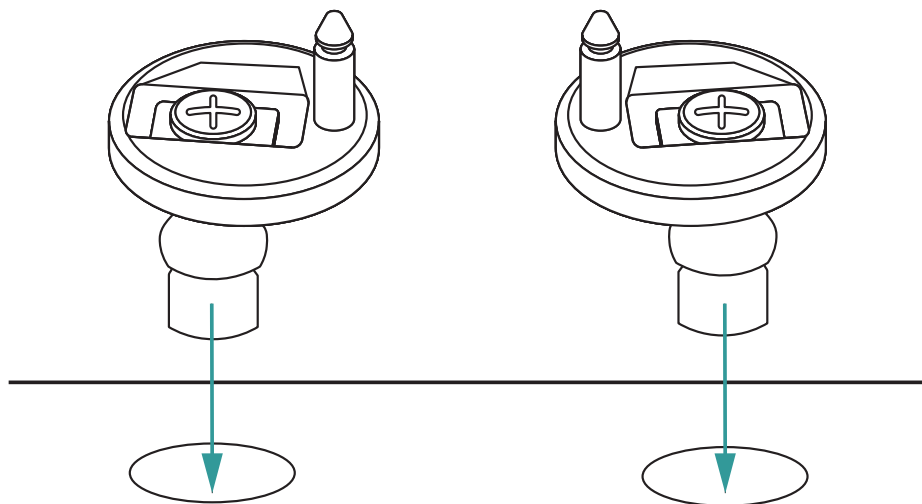
ASSEMBLE HINGES



3

INSTALL HINGES

Insert hinges with blind hole screwfixings attached into holes on toilet bowl.

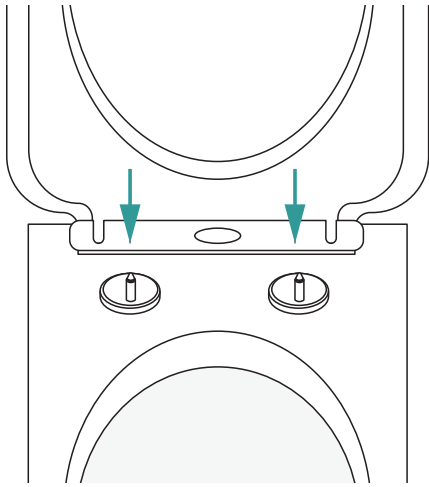




4

ATTACH & ADJUST SEAT

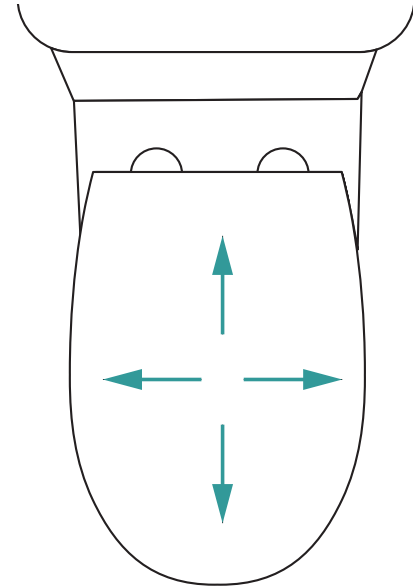
Align seat to the hinges, then light tighten the hinges.
Attach seat to the secure hinges.



5

ALIGN SEAT TO TOILET

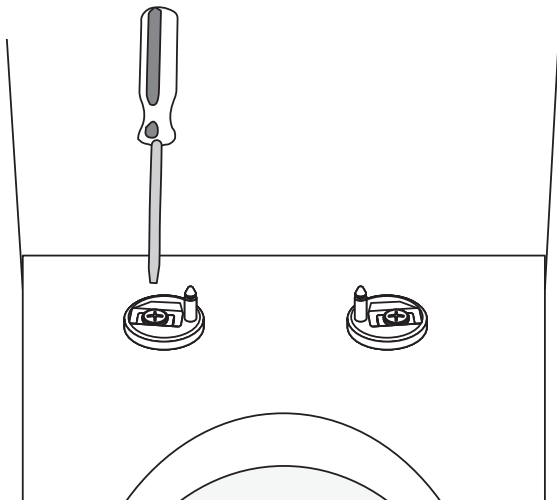
Adjust seat to align to the bowl.



6

TIGHTEN HINGES

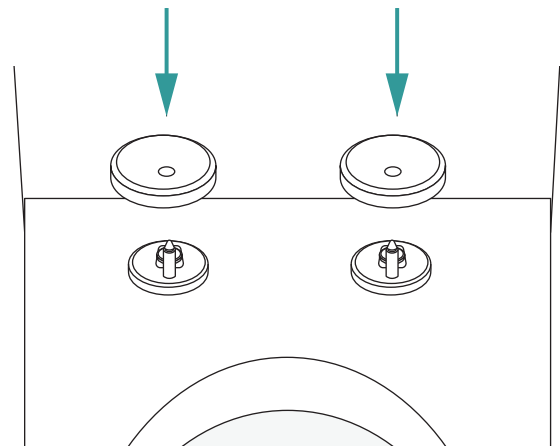
Tighten hinges with a screwdriver after alignment



7

COVER HINGES

Place the covers onto the hinges.





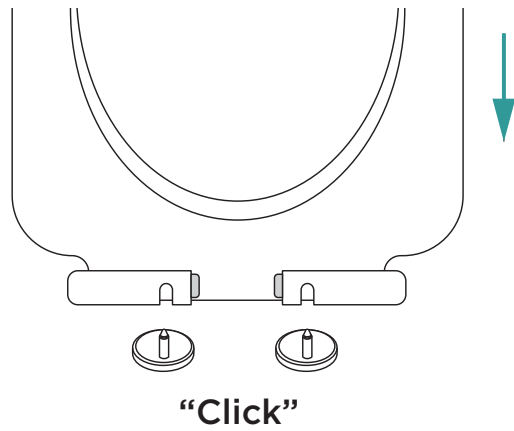
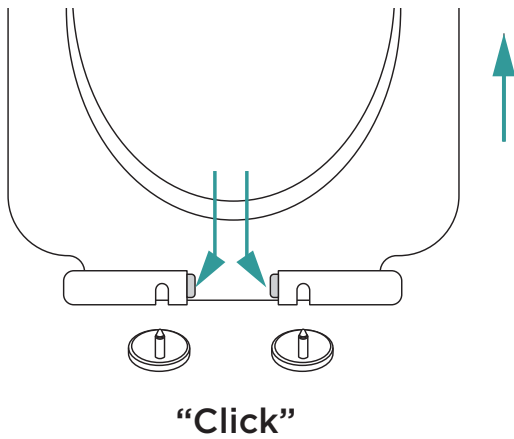
8

TOILET SEAT USAGE

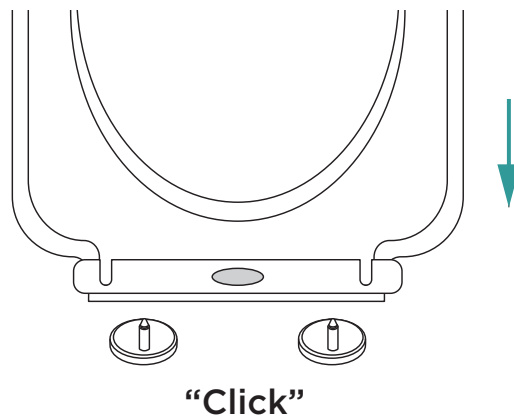
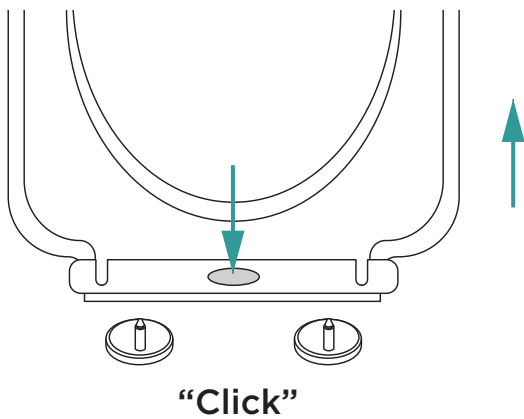
To remove, push middle button until you hear a “click”, then pull straight up.

To re-install, align hinge posts with reference marks on seat, then push down until you hear a “click”.

Two Button seat type



One Button seat type





206 WEMBLY ROAD - NEW WINDSOR, NY 12553
P: 718.602.6060 F: 718.963.2082 - E: INFO@FINEFIXTURES.COM
TOLL FREE: 1.877.8FIXTURES
FINEFIXTURES.COM

