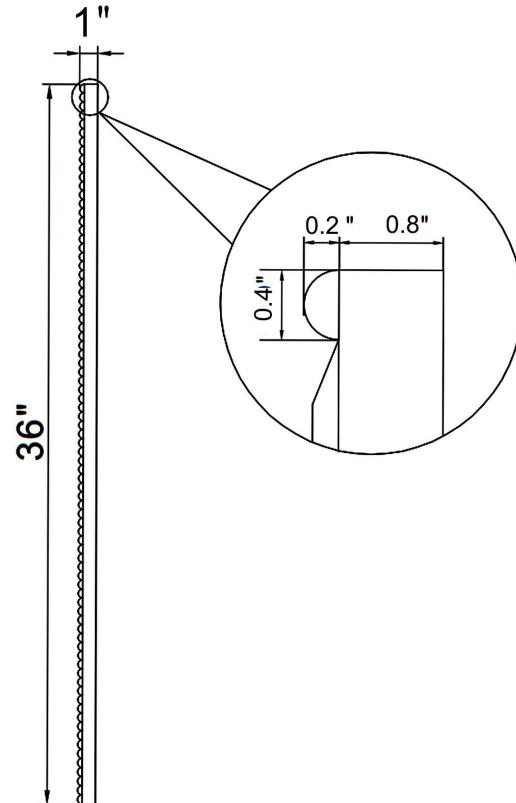
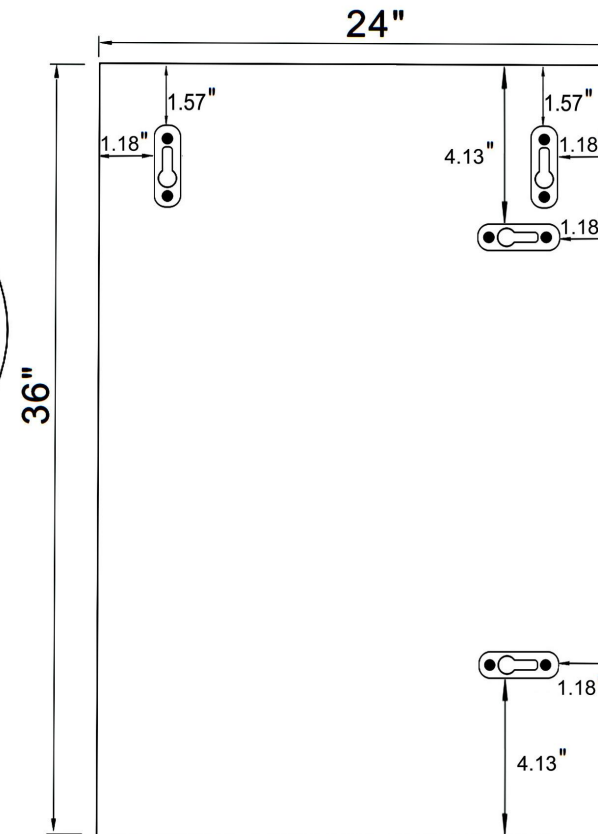


Front view



Side view



Back view

DWG. NO.

MODEL NO:  
MR32436BL

SPEC NO:

QUANTITY:

DATE:

CHECKED BY:

FOR PROPOSAL ONLY ALL  
DIMENSIONS TO BE VERIFIED

PROJECT:

COLOR:

FINISH:

REVISIONS

- ①
- ②
- ③
- ④
- ⑤
- ⑥


 **ELEGANT**  
FURNITURE & LIGHTING™

500-550 E. Erie Avenue

Philadelphia PA 19134

1-888-388-3390

Model #	Product Type	Product Description	Hand Painted	Product Width(in)	Product Depth(in)	Product Height(in)	Mirror Width
MR32436BL	Mirror	Mirror 24"x36"x1" Blue	YES	24	1	36	16
Mirror Depth	Mirror Height	Frame shape	Orientation	Frame finish	Frame material	Mounting /attachment type	Number of brackets
0.16	28	Rectangle	Vertical	Blue	MDF	Metal hook	4
Beveled glass	Frameless	Package LENGTH	Packaged WIDTH	Packaged HEIGHT	Package Weight	Product weight	Shipment Type
Yes	NO	39.76	27.95	5.31	29.77	15.44	Small Parcel
"Any certificatio Californian?(CARB/ TSCA VI)"	"Furniture/Vanity:California Proposition 65 warning required"						
Yes	Yes						

<b>DWG. NO.</b>														
<b>MODEL NO:</b> MR32436BL														
<b>SPEC NO:</b>														
<b>QUANTITY:</b>														
<b>DATE:</b>														
<b>CHECKED BY:</b>														
<b>FOR PROPOSAL ONLY ALL DIMENSIONS TO BE VERIFIED</b>														
<b>PROJECT:</b>														
<b>COLOR:</b>														
<b>FINISH:</b>														
<table border="1"> <thead> <tr> <th colspan="2">REVISIONS</th> </tr> </thead> <tbody> <tr><td>1</td><td></td></tr> <tr><td>2</td><td></td></tr> <tr><td>3</td><td></td></tr> <tr><td>4</td><td></td></tr> <tr><td>5</td><td></td></tr> <tr><td>6</td><td></td></tr> </tbody> </table>	REVISIONS		1		2		3		4		5		6	
REVISIONS														
1														
2														
3														
4														
5														
6														
 <b>ELEGANT</b> FURNITURE & LIGHTING™														
<b>500-550 E. Erie Avenue</b> <b>Philadelphia PA 19134</b> <b>1-888-388-3390</b>														